

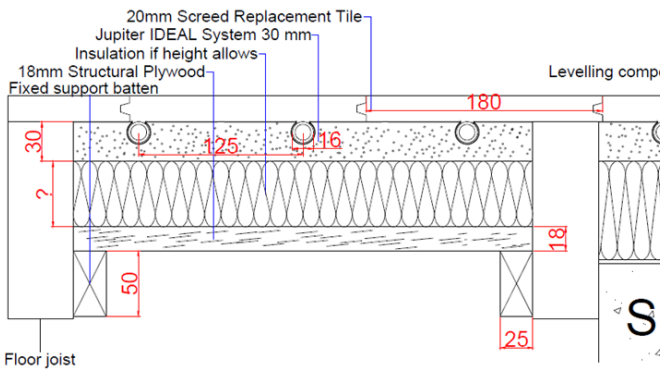
Installation spanning solid and suspended floors in a typical Victorian side-return extension



The normal side-return extension typically involves heating both an original suspended floor and an area of new solid floor. This is often a new concrete slab or beam and block floor as pictured above.

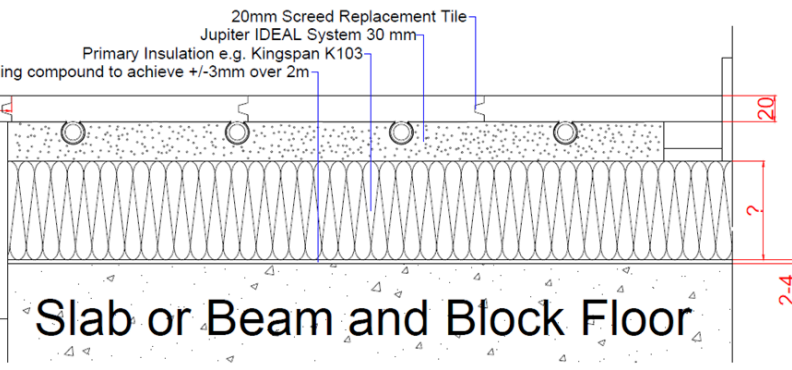


Underfloor heating can prove difficult to incorporate in an area that is comprised of both suspended and solid floors, but it does not have to be. The heating panel should be installed in the new solid floor section at the same height as in the retrofit between the joists as shown above.



Construction EPS-BJ2G

The above section drawing shows how our underfloor heating may be incorporated with a minimal impact upon the floor height in the existing building fabric. The SRT system spans both substrates without the need for a movement joint. Stone and tile floor finishes may be installed seamlessly on top of our SRT system without a decoupling membrane and we will guarantee them against failure.



Construction EPS-40G



Installing the heating panel at the same height in both constructions allows the SRT system to lie flat across both solid and suspended floors. Levelling compound may be applied as shown to allow for the installation of thin finishes such as vinyl.



The unique Jupiter Screed Replacement Tile forms a floating floor across both substrates. As the SRT system does not expand or contract through heating and cooling the finished floor may be installed seamlessly without any movement or expansion joints.