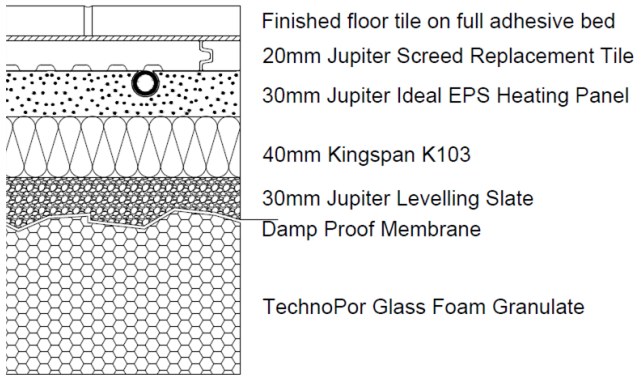


16th Century Farmhouse, 2016
Thatched Grade 2 Listed Farmhouse

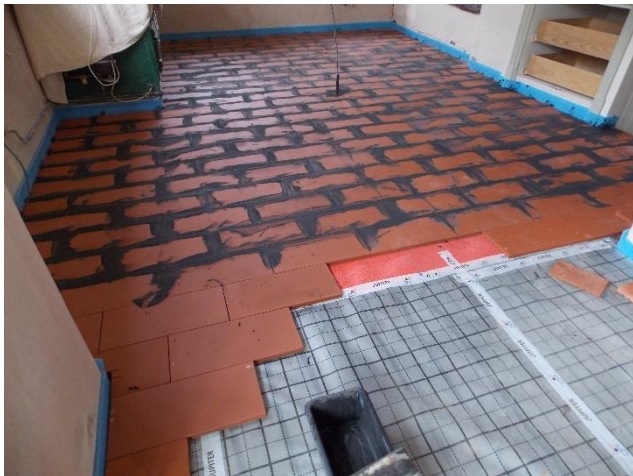
Architect: Woodford Architecture
www.woodfordarchitecture.com



We were initially contacted by the architect to provide an efficient underfloor heating system that would not introduce moisture to the 16th century farmhouse.



The above floor detail shows the completely dry-installed floor construction. Jupiter levelling slate was laid over a DPM to form the flat and level surface onto which the primary insulation was laid before our unique heating system.



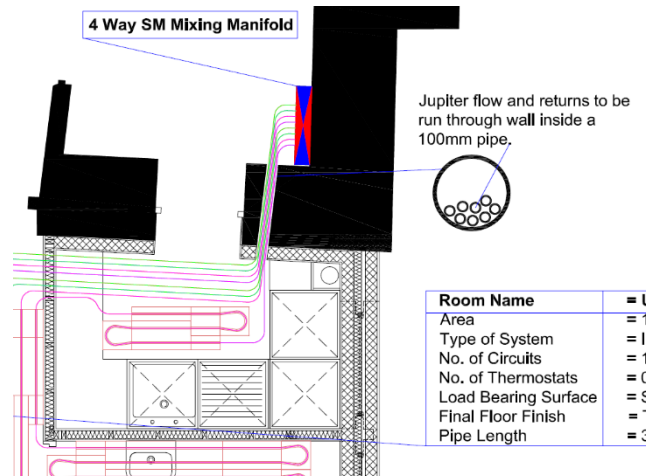
The Jupiter Screed Replacement Tile was used to provide the ideal substrate for the large-format finished floor tiles. The SRT system decouples the finished floor and allows Jupiter to guarantee finished floor tiles against failure for five years.



As an alternative to a conventional slab TechnoPor Glass Foam was used. Adopting this method of construction forms a strong and insulated base without the drying out time of a concrete slab.



The Jupiter Ideal EPS heating panel was selected for its ability to deliver superb heat output rapidly and, equally importantly, evenly to prevent cold spots on the floor.



Due to limited space in the utility room the manifold was located outside the heated area. The flow and return pipework was brought neatly through the thick wall in a pipe conduit at floor level.

16th Century Farmhouse, 2016
Thatched Grade 2 Listed Farmhouse

Architect: Woodford Architecture
www.woodfordarchitecture.com



In stark contrast to the first picture taken just five months before. The finished result: 'a considered response to the original buildings and their rural setting with a sensitive remodelling and refurbishment of this historically important property'.



Due to the limited thermal mass of the Screed Replacement Tile it is able to swiftly respond to changing room temperatures. This is particularly important in rooms with large solar gain due to the windows where an excess of heat would be undesirable.

